

American Optical

Product Information

Carl Zeiss Vision
368 Main Street
Southbridge, MA 01550

July 2010

000-3001-09190

AMERICAN OPTICAL LENS SPECIFICATIONS TABLE OF CONTENTS

Progressives Semi-Finished Lens Parameters

AO Compact 55.....	1.1
AO Compact 55 Velocity Transitions.....	1.3
AO Compact Rugged Fashionwear Polycarbonate	1.5
AO Compact Hard Resin	1.7
AO Compact Hard Resin Transitions VI	1.9
AO Easy / AO Pro Easy 167 High Index	1.11
AO Easy / AO Pro Easy 167 Transitions VI	1.13
AO Easy / AO Pro Easy Rugged Fashionwear Polycarbonate	1.15
AO Easy / AO Pro Easy Polycarbonate Transitions VI	1.17
AO Easy / AO Pro Easy Hard Resin	1.19
AO Easy / AO Pro Easy Hard Resin Transitions VI	1.21
AO Easy / AO Pro Easy Hard Resin NuPolar Polarized Gray.....	1.23
Instinctive / PEZ 167 High Index	1.25
Instinctive / PEZ 167 Transitions VI	1.27
Instinctive / PEZ Polycarbonate	1.29
Instinctive / PEZ Polycarbonate Transitions VI.....	1.31
Instinctive / PEZ Hard Resin	1.33
Instinctive / PEZ Hard Resin Transitions VI	1.35

MULTIFOCAL Semi-Finished Lens Parameters

Flat Top 28 70mm PureCote & Uncoated	2.1
Flat Top 28 75mm PureCote & Uncoated	2.3
Round Seg 24 70mm Uncoated	2.5
Blended Bifocal 24 75mm Uncoated.....	2.7

SINGLE VISION Semi-Finished Lens Parameters

AO 55 Aspheric 75mm PureCote.....	3.1
Single Vision 66mm PureCote & Uncoated	3.2
Single Vision 70mm PureCote & Uncoated	3.3
Single Vision 75mm PureCote & Uncoated	3.4

SINGLE VISION Finished Lens Parameters

Single Vision 65mm PureCote & Uncoated	4.1
--	-----



Product Fact Sheet

AO Compact[®] 55

Material: AO 's High Index "55"

Coating:

<i>Coating Type</i>	<i>PureCote[®]</i>	<i>Uncoated</i>
Chart Number	1514	1114
Cat Code	705	n/a

Blank Diameter: 72mm with optics centered.

Base Curves: 1.50, 3.50, 5.50, 7.50

Nominal Base Curve	Actual Base Curve (1.53)	Actual Base Curve (1.498)	Sagitta (50mm)	Back Curve (1.53)	Reference Center Thickness	Edge Thickness
1.50	1.50	1.41	0.886	-6.00	9.6	14.9
3.50	3.49	3.28	2.072	-6.00	10.4	13.2
5.50	5.50	5.17	3.299	-6.00	10.1	10.4
7.50	7.50	7.05	4.570	-6.00	13.3	10.5

Add Powers: +0.75 to +3.50 in 0.25D steps.

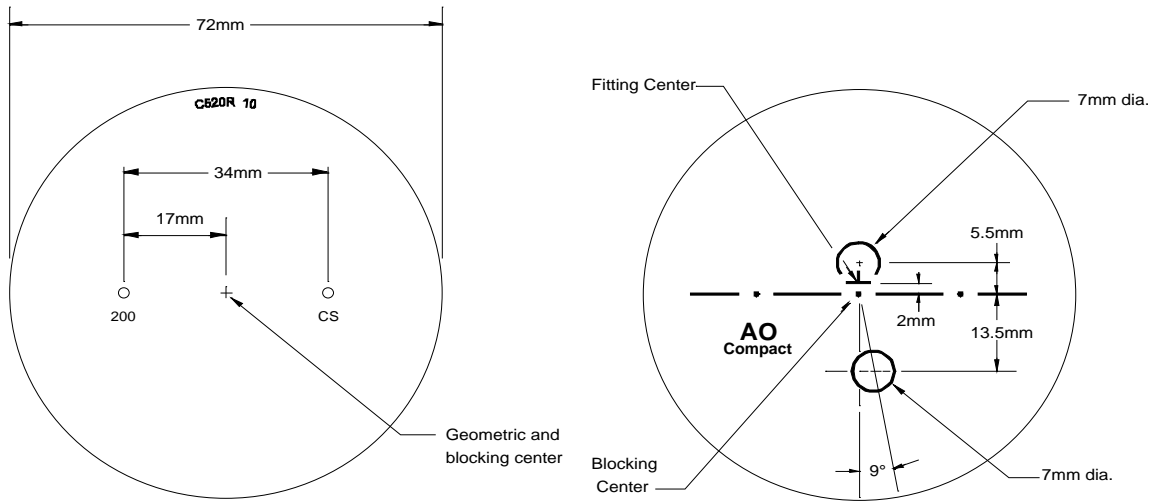
Material Properties:

<i>Refractive index (nd)</i>	1.537
<i>Abbe Value (vd)</i>	47
<i>Specific Gravity</i>	1.21
<i>UV Protection</i>	100% UV-B, 98% UV-A

Prescription Range: -9.00 to +5.00 combined with -4.00 cyl

<i>Power (sphere)</i>	<i>Recommended Base Curve</i>
-9.00 to -5.25 D	1.50
-5.00 to -0.75 D	3.50
-0.50 to +2.00 D	5.50
+2.25 to +5.00 D	7.50

AO Compact[®] 55 Lens Markings



Base Curve Selection Chart

		Minus Cyls																
		0.00	-0.25	-0.50	-0.75	-1.00	-1.25	-1.50	-1.75	-2.00	-2.25	-2.50	-2.75	-3.00	-3.25	-3.50	-3.75	-4.00
S	+5.00																	
	75																	
	50																	
P	+4.00																	
	75																	
	50																	
H	+3.00																	
	75																	
	50																	
E	+2.00																	
	75																	
	50																	
R	+1.00																	
	75																	
	50																	
E	Plano																	
	25																	
	50																	
S	-1.00																	
	75																	
	50																	
	-2.00																	
	75																	
	50																	
	-3.00																	
	75																	
	50																	
	-4.00																	
	75																	
	50																	
	-5.00																	
	75																	
	50																	
	-6.00																	
	75																	
	50																	
	-7.00																	
	75																	
	50																	
	-8.00																	
	75																	
	50																	
	-9.00																	
	75																	
	50																	



Product Fact Sheet

AO Compact[®] 55 Velocity Transitions[®]

Material: AO 's High Index "55" Resin – Transitions[®] Gray

Coating:	Coating Type	PureCote[®]
	Chart Number	6575
	Cat Code	126

Blank Diameter: 72mm with optics centered.

Base Curves: 1.50, 3.50, 5.50, 7.50

Nominal Base Curve	Actual Base Curve (1.53)	Actual Base Curve (1.498)	Sagitta (50mm)	Back Curve (1.53)	Reference Center Thickness	Edge Thickness
1.50	1.43	1.34	0.844	-6.00	9.6	14.9
3.50	3.47	3.26	2.060	-6.00	10.4	13.2
5.50	5.46	5.13	3.275	-6.00	10.1	10.4
7.50	7.48	7.03	4.557	-6.00	13.3	10.5

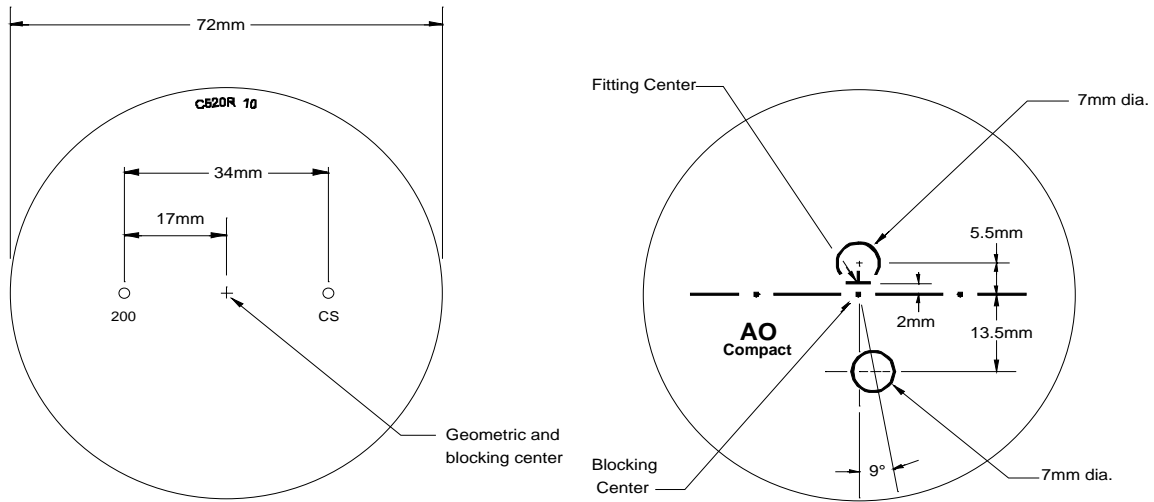
Add Powers: +1.00 to +3.00 in 0.25D steps.

Material Properties:	Refractive index (n_d)	1.537
	Abbe Value (v_d)	47
	Specific Gravity	1.21
	UV Protection	100% UV-B, 98% UV-A

Prescription Range: -9.00 to +5.00 combined with -4.00 cyl

Power (sphere)	Recommended Base Curve
-9.00 to -5.25 D	1.50
-5.00 to -0.75 D	3.50
-0.50 to +2.00 D	5.50
+2.25 to +5.00 D	7.50

AO Compact® 55 Velocity Transitions® Lens Markings



Base Curve Selection Chart

		Minus Cyls																
		0.00	-0.25	-0.50	-0.75	-1.00	-1.25	-1.50	-1.75	-2.00	-2.25	-2.50	-2.75	-3.00	-3.25	-3.50	-3.75	-4.00
S	+5.00																	
	75																	
	25																	
P	+4.00																	
	75																	
	50																	
H	+3.00																	
	75																	
	50																	
E	+2.00																	
	75																	
	25																	
R	+1.00																	
	75																	
	50																	
E	Plano																	
	25																	
	50																	
S	-1.00																	
	25																	
	75																	
	-2.00																	
	25																	
	50																	
	-3.00																	
	25																	
	50																	
	-4.00																	
	25																	
	75																	
	-5.00																	
	25																	
	50																	
	-6.00																	
	25																	
	75																	
	-7.00																	
	25																	
	50																	
	-8.00																	
	25																	
	75																	
	-9.00																	
	25																	
	50																	



CARL ZEISS VISION



Product Fact Sheet

AO Compact[®] Rugged Fashionwear[®]

Material: Polycarbonate

Coating: *Coating Type* **PureCote[®]**
(Non Tintable)
Chart Number 1770
Cat Code 121

Blank Diameter: 72mm with optics centered.

Base Curves: 1.50, 3.50, 5.50, 7.50

Nominal Base Curve	Actual Base Curve (1.53)	Actual Base Curve (1.498)	Sagitta (50mm)	Back Curve (1.53)	Reference Center Thickness	Edge Thickness
1.50	1.62	1.52	0.957	-6.12	7.8	13.4
3.50	3.53	3.32	2.096	-6.12	7.7	10.5
5.50	5.33	5.01	3.194	-6.12	8.3	8.6
7.50	7.45	7.00	4.537	-6.12	11.0	8.8

Add Powers: +1.00 to +3.00 in 0.25D steps.

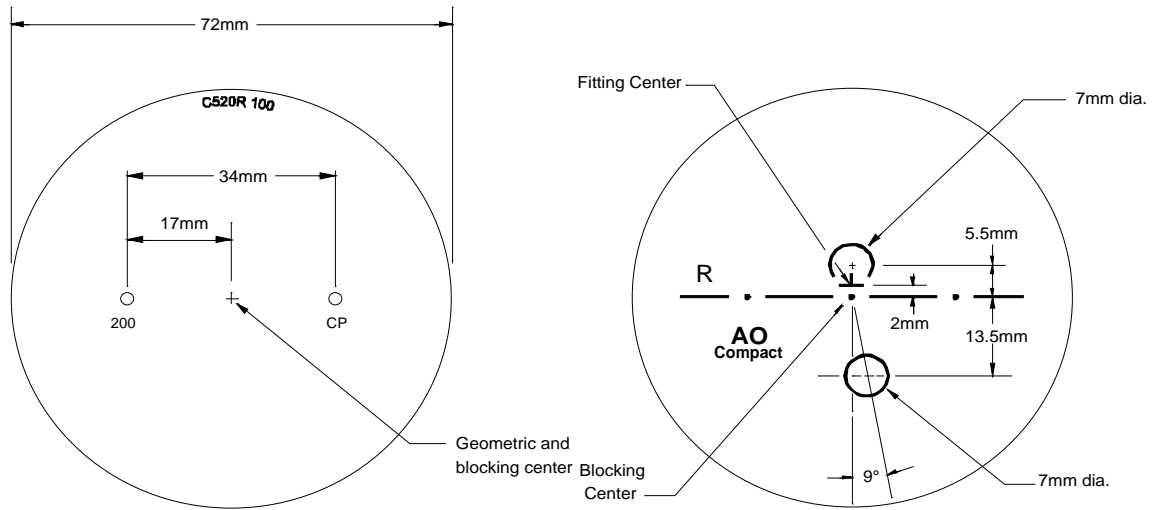
Material Properties: *Refractive index (nd)* 1.586
Abbe Value (vd) 30
Specific Gravity 1.20
UV Protection 100% UV-B, 100% UV-A

Prescription Range: -9.00 to +5.00 combined with -4.00 cyl

<i>Power (sphere)</i>	<i>Recommended Base Curve</i>
-9.00 to -5.25 D	1.50
-5.00 to -0.75 D	3.50
-0.50 to +2.00 D	5.50
+2.25 to +5.00 D	7.50

AO Compact[®] Rugged Fashionwear[®]

Lens Markings



Base Curve Selection Chart

		Minus Cyls																
		0.00	-0.25	-0.50	-0.75	-1.00	-1.25	-1.50	-1.75	-2.00	-2.25	-2.50	-2.75	-3.00	-3.25	-3.50	-3.75	-4.00
S	+5.00																	
	75																	
	50																	
P	+4.00																	
	75																	
	50																	
H	+3.00																	
	75																	
	50																	
E	+2.00																	
	75																	
	50																	
R	+1.00																	
	75																	
	50																	
E	Plano																	
	75																	
	50																	
S	-1.00																	
	75																	
	50																	
	-2.00																	
	75																	
	50																	
	-3.00																	
	75																	
	50																	
	-4.00																	
	75																	
	50																	
	-5.00																	
	75																	
	50																	
	-6.00																	
	75																	
	50																	
	-7.00																	
	75																	
	50																	
	-8.00																	
	75																	
	50																	
	-9.00																	
	75																	
	50																	



Product Fact Sheet

AO Compact[®]

Material: Hard Resin

Coating:

<i>Coating Type</i>	<i>PureCote[®]</i>	<i>Uncoated</i>
Chart Number	7570	7170
Cat Code	866	835

Blank Diameter: 72mm with optics centered.

Base Curves: 1.50, 3.50, 5.50, 7.50

Nominal Base Curve	Actual Base Curve (1.53)	Actual Base Curve (1.498)	Sagitta (50mm)	Back Curve (1.53)	Reference Center Thickness	Edge Thickness
1.50	1.59	1.49	0.939	-3.00	12.5	14.0
3.50	3.53	3.32	2.096	-6.00	10.5	13.0
5.50	5.40	5.07	3.237	-6.00	10.3	10.5
7.50	7.46	7.01	4.544	-6.00	14.5	11.5

Add Powers: +0.75 to +3.50 in 0.25D steps.

Material Properties:

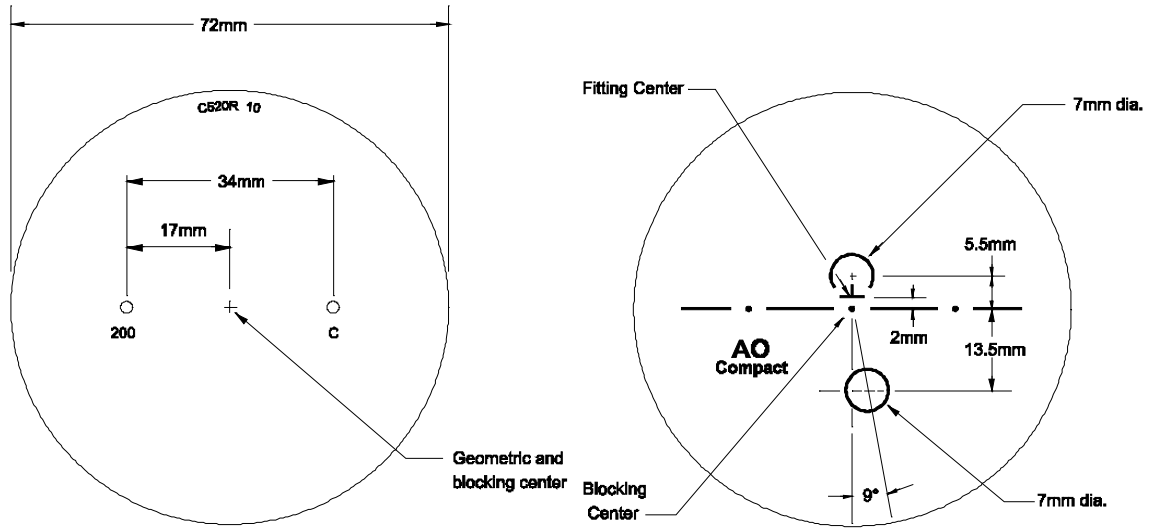
<i>Refractive index (nd)</i>	1.499
<i>Abbe Value (vd)</i>	58
<i>Specific Gravity</i>	1.32
<i>UV Protection</i>	100% UV-B, 91% UV-A

Prescription Range: -9.00 to +5.00 combined with -4.00 cyl

<i>Power (sphere)</i>	<i>Recommended Base Curve</i>
-9.00 to -5.25 D	1.50
-5.00 to -0.75 D	3.50
-0.50 to +2.00 D	5.50
+2.25 to +5.00 D	7.50

AO COMPACT[®]

Lens Markings



Base Curve Selection Chart

		Minus Cyls																
		0.00	-0.25	-0.50	-0.75	-1.00	-1.25	-1.50	-1.75	-2.00	-2.25	-2.50	-2.75	-3.00	-3.25	-3.50	-3.75	-4.00
S	+5.00																	
	75																	
	50																	
P	+4.00																	
	75																	
	50									7.50								
H	+3.00																	
	75																	
	50																	
E	+2.00																	
	75																	
	50																	
R	+1.00																	
	75																	
	50									5.50								
E	Plano																	
	25																	
	50																	
S	-1.00																	
	75																	
	50																	
	-2.00																	
	75																	
	50																	
	-3.00																	
	75																	
	50																	
	-4.00																	
	75																	
	50																	
	-5.00																	
	75																	
	50																	
	-6.00																	
	75																	
	50																	
	-7.00																	
	75																	
	50																	
	-8.00																	
	75																	
	50																	
	-9.00																	
	75																	
	50																	



Product Fact Sheet

AO Compact[®] Transitions[®] VI

Material: CR-607[®] Hard Resin

Coating:	Coating Type	Abrasion Resistant		Uncoated	
	Color	Grey	Brown	Grey	Brown
	Chart Number	01430		n/a	
	Cat Code	T80		n/a	

"Not all versions available in all markets"

Blank Diameter: 72mm with optics centered.

Base Curves: 1.50, 3.50, 5.50, 7.50

Nominal Base Curve	Actual Base Curve (1.53)	Actual Base Curve (1.498)	Sagitta (50mm)	Back Curve (1.53)	Reference Center Thickness	Edge Thickness
1.50	1.61	1.51	0.951	-3.00	13.0	14.6
3.50	3.53	3.32	2.096	-6.00	10.6	13.1
5.50	5.37	5.05	3.219	-6.00	10.0	10.7
7.50	7.49	7.04	4.563	-6.00	14.5	11.3

Add Powers: +1.00 to +3.50 in 0.25D steps.

Material Properties:	Refractive index (n_d)	1.497
	Abbe Value (v_d)	55
	Specific Gravity	1.27
	UV Protection	100% UV-B, 100% UV-A

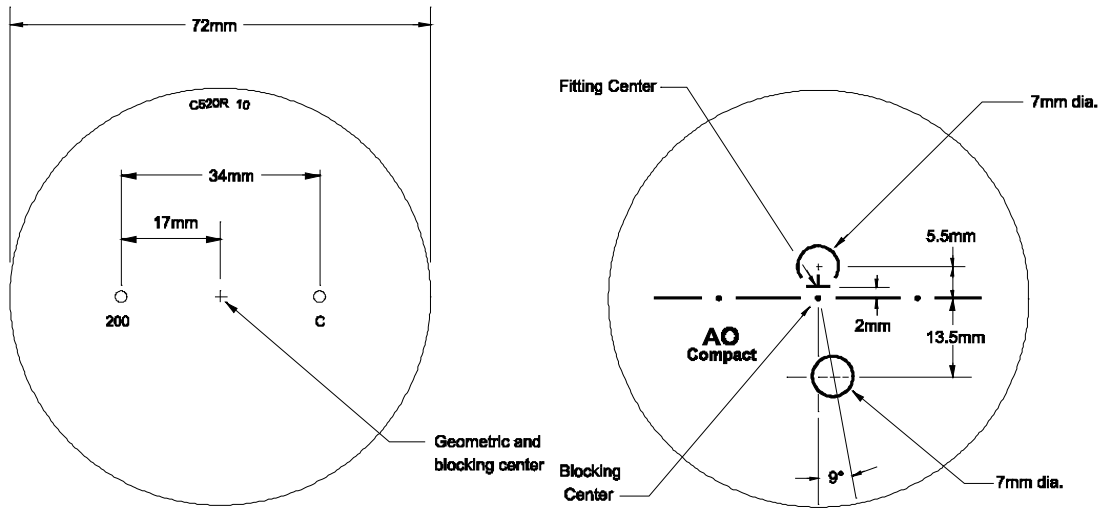
Prescription Range: -9.00 to +5.00 combined with -4.00 cyl

Power (sphere)	Recommended Base Curve
-9.00 to -5.25 D	1.50
-5.00 to -0.75 D	3.50
-0.50 to +2.00 D	5.50
+2.25 to +5.00 D	7.50

AO Compact Is a registered trademark of AOIP.
 CR-607 is a registered trademark of PPG Industries.
 Transitions is a registered trademark of Transitions Optical, Inc.

AO Compact[®] Transitions[®] VI

Lens Markings



Base Curve Selection Chart

	Minus Cyls																	
	0.00	-0.25	-0.50	-0.75	-1.00	-1.25	-1.50	-1.75	-2.00	-2.25	-2.50	-2.75	-3.00	-3.25	-3.50	-3.75	-4.00	
S	+5.00																	
	75																	
	50																	
	25																	
P	+4.00																	
	75																	
	50																	
	25																	
H	+3.00																	
	75																	
	50																	
	25																	
E	+2.00																	
	75																	
	50																	
	25																	
R	+1.00																	
	75																	
	50																	
	25																	
E	+1.00																	
	75																	
	50																	
	25																	
S	Plano																	
	75																	
	50																	
	25																	
	75																	
	50																	
	25																	
	75																	
	50																	
	25																	
	75																	
	50																	
	25																	
	75																	
	50																	
	25																	
	75																	
	50																	
	25																	
	75																	
	50																	
	25																	
	75																	
	50																	
	25																	
	75																	
	50																	
	25																	
	75																	
	50																	
	25																	
	75																	
	50																	
	25																	
	75																	
	50																	
	25																	
	75																	
	50																	
	25																	
	75																	
	50																	
	25																	
	75																	
	50																	
	25																	
	75																	
	50																	
	25																	
	75																	
	50																	
	25																	
	75																	
	50																	
	25																	
	75																	
	50																	
	25																	
	75																	
	50																	
	25																	
	75																	
	50																	
	25																	
	75																	
	50																	
	25																	
	75																	
	50																	
	25																	
	75																	
	50																	
	25																	
	75																	
	50																	
	25																	
	75																	
	50																	
	25																	
	75																	
	50																	
	25																	
	75																	
	50																	
	25																	
	75																	
	50																	
	25																	



Product Fact Sheet

AO PRO[®] Easy 1.67 / AO Easy 1.67

Material: High Index 1.67

Coating:	Coating Type	PureCote[®]	Uncoated
	Chart Number	833	834
	Cat Code	007	TBD

Blank Diameter: 73mm (except 5 Base – 78mm) with optics centered.

Base Curves: 1.00, 3.00, 5.00, 6.00, 7.00

Nominal Base Curve	Actual Base Curve (1.53)	Actual Base Curve (1.498)	Sagitta (50mm)	Back Curve (1.53)	Reference Center Thickness	Edge Thickness
1.00	1.40	1.32	0.826	-6.00	7.9	14.2
3.00	3.14	2.95	1.862	-6.00	8.9	13.0
5.00	4.97	4.67	2.972	-6.00	8.7	10.8
6.00	5.77	5.42	3.468	-6.00	11.0	12.1
7.00	6.80	6.39	4.118	-6.00	12.2	11.8

Add Powers: +0.75 to +3.50 in 0.25D steps.

Material Properties:	Refractive index (n_d)	1.661
	Abbe Value (v_d)	32
	Specific Gravity	1.37
	UV Protection	100% UV-B, 100% UV-A

Prescription Range: -10.00 to +6.00 combined with -4.00 cyl

Power (sphere)	Recommended Base Curve
-10.00 to -5.25 D	1.00
-5.00 to -0.75 D	3.00
-0.50 to +2.00 D	5.00
+2.25 to +3.50 D	6.00
+3.75 to +6.00 D	7.00



AO Easy 1.67 Transitions® VI

Material: High Index 1.67

Coating:	Coating Type	Abrasion Resistant	Uncoated
	Color	Grey	Grey
	Chart Number	01426	TBD
	Cat Code	T14	TBD

Blank Diameter: 73mm (except 5 Base – 78mm) with optics centered.

Base Curves: 1.00, 3.00, 5.00, 6.00, 7.00

Nominal Base Curve	Actual Base Curve (1.53)	Actual Base Curve (1.498)	Sagitta (50mm)	Back Curve (1.53)	Reference Center Thickness	Edge Thickness
1.00	1.40	1.32	0.826	-6.00	7.9	14.2
3.00	3.14	2.95	1.862	-6.00	8.9	13.0
5.00	4.97	4.67	2.972	-6.00	8.7	10.8
6.00	5.77	5.42	3.468	-6.00	11.0	12.1
7.00	6.80	6.39	4.118	-6.00	12.2	11.8

Add Powers: +0.75 to +3.50 in 0.25D steps.

Material Properties:	Refractive index (n_d)	1.661
	Abbe Value (v_d)	32
	Specific Gravity	1.37
	UV Protection	100% UV-B, 100% UV-A

Prescription Range: -10.00 to +6.00 combined with -4.00 cyl

Power (sphere)	Recommended Base Curve
-10.00 to -5.25 D	1.00
-5.00 to -0.75 D	3.00
-0.50 to +2.00 D	5.00
+2.25 to +3.50 D	6.00
+3.75 to +6.00 D	7.00



Product Fact Sheet

AO PRO[®] Easy / AO Easy Rugged Fashionwear[®]

Material: Polycarbonate

Coating: *Coating Type* **PureCote[®]**
(Non Tintable)
Chart Number 1760
Cat Code 225

Blank Diameter: 76mm (73mm in the 7.50 base) with optics centered.

Base Curves: 1.50, 3.50, 5.50, 7.50

Nominal Base Curve	Actual Base Curve (1.53)	Actual Base Curve (1.498)	Sagitta (50mm)	Back Curve (1.53)	Reference Center Thickness	Edge Thickness
1.50	1.57	1.48	0.927	-6.24	7.8	14.0
3.50	3.54	3.33	2.102	-6.24	7.7	11.1
5.50	5.42	5.09	3.250	-6.24	8.3	8.8
7.50	7.47	7.02	4.550	-6.12	11.3	8.3

Add Powers: +1.00 to +3.00 in 0.25D steps.

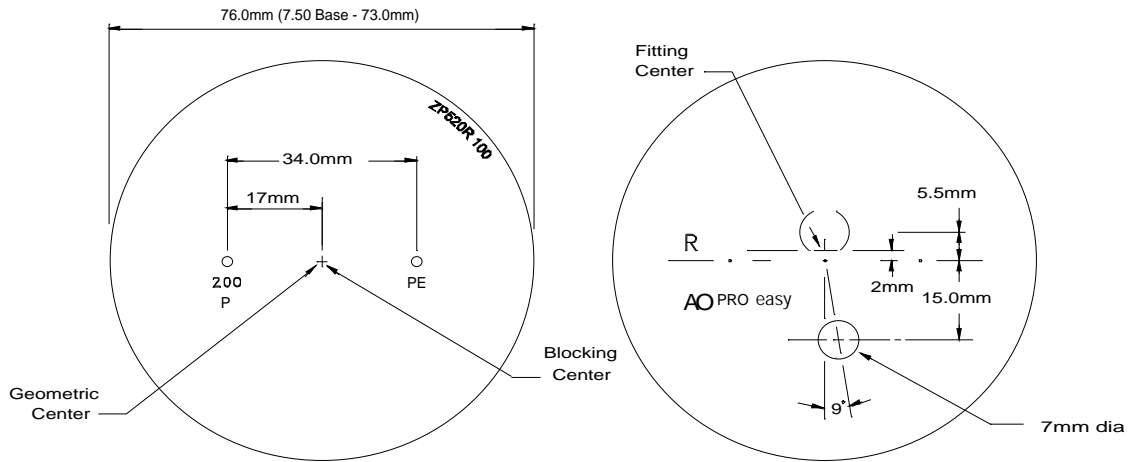
Material Properties: *Refractive index (nd)* 1.586
Abbe Value (vd) 30
Specific Gravity 1.20
UV Protection 100% UV-B, 100% UV-A

Prescription Range: -9.00 to +5.00 combined with -4.00 cyl

<i>Power (sphere)</i>	<i>Recommended Base Curve</i>
-9.00 to -5.25 D	1.50
-5.00 to -0.75 D	3.50
-0.50 to +2.00 D	5.50
+2.25 to +5.00 D	7.50

AO PRO[®] Easy / AO Easy Rugged Fashionwear[®]

Lens Markings



Base Curve Selection Chart

		Minus Cyls																
		0.00	-0.25	-0.50	-0.75	-1.00	-1.25	-1.50	-1.75	-2.00	-2.25	-2.50	-2.75	-3.00	-3.25	-3.50	-3.75	-4.00
S	+5.00																	
	75																	
	50																	
	25																	
P	+4.00																	
	75																	
	50																	
	25																	
H	+3.00																	
	75																	
	50																	
	25																	
E	+2.00																	
	75																	
	50																	
	25																	
R	+1.00																	
	75																	
	50																	
	25																	
E	Plano																	
	75																	
	50																	
	25																	
S	-1.00																	
	75																	
	50																	
	25																	
	-2.00																	
	75																	
	50																	
	25																	
	-3.00																	
	75																	
	50																	
	25																	
	-4.00																	
	75																	
	50																	
	25																	
	-5.00																	
	75																	
	50																	
	25																	
	-6.00																	
	75																	
	50																	
	25																	
	-7.00																	
	75																	
	50																	
	25																	
	-8.00																	
	75																	
	50																	
	25																	
	-9.00																	
	75																	
	50																	
	25																	



Product Fact Sheet

AO Easy Transitions® VI Polycarbonate

Material: Polycarbonate - Grey

Coating:

<i>Coating Type</i>	<i>Abrasion Resistant</i>
Chart Number	01428
Cat Code	T54

Blank Diameter: 72mm with optics centered.

Base Curves: 1.50, 3.50, 5.50, 7.50

Nominal Base Curve	Actual Base Curve (1.53)	Actual Base Curve (1.498)	Sagitta (50mm)	Back Curve (1.53)	Reference Center Thickness	Edge Thickness
1.50	1.62	1.52	0.957	-5.75	7.6	12.5
3.50	3.61	3.39	2.144	-5.75	7.5	9.9
5.50	5.47	5.14	3.281	-5.75	8.1	7.9
7.50	7.53	7.08	4.589	-8.00	11.1	11.3

Add Powers: +1.00 to +3.00 in 0.25D steps.

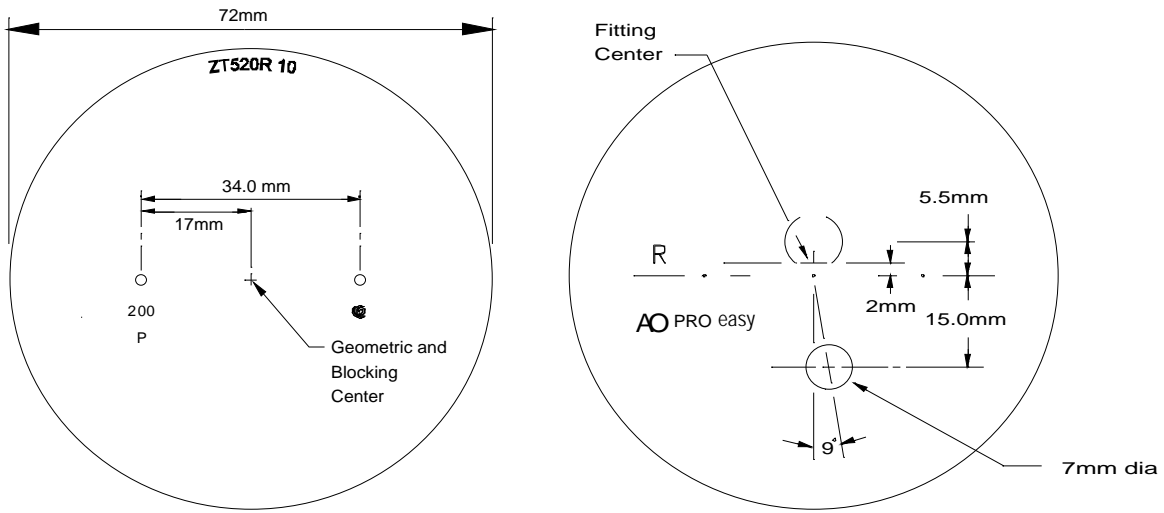
Material Properties:

<i>Refractive index (nd)</i>	1.586
<i>Abbe Value (vd)</i>	30
<i>Specific Gravity</i>	1.20
<i>UV Protection</i>	100% UV-B, 100% UV-A

Prescription Range: -9.00 to +5.00 combined with -4.00 cyl

<i>Power (sphere)</i>	<i>Recommended Base Curve</i>
-9.00 to -5.25 D	1.50
-5.00 to -0.75 D	3.50
-0.50 to +2.00 D	5.50
+2.25 to +5.00 D	7.50

AO PRO[®] Easy / AO Easy Transitions[®] VI Polycarbonate Lens Markings



Base Curve Selection Chart

		Minus Cyls																
		0.00	-0.25	-0.50	-0.75	-1.00	-1.25	-1.50	-1.75	-2.00	-2.25	-2.50	-2.75	-3.00	-3.25	-3.50	-3.75	-4.00
S	+5.00																	
	75																	
	50																	
P	+4.00																	
	75																	
	50																	
H	+3.00																	
	75																	
	50																	
E	+2.00																	
	75																	
	50																	
R	+1.00																	
	75																	
	50																	
E	+0.00																	
	75																	
	50																	
S	Planoc																	
	75																	
	50																	
	-1.00																	
	75																	
	50																	
	-2.00																	
	75																	
	50																	
	-3.00																	
	75																	
	50																	
	-4.00																	
	75																	
	50																	
	-5.00																	
	75																	
	50																	
	-6.00																	
	75																	
	50																	
	-7.00																	
	75																	
	50																	
	-8.00																	
	75																	
	50																	
	-9.00																	
	75																	
	50																	



Product Fact Sheet

AO PRO[®] Easy / AO Easy

Material: Hard Resin

Coating:	Coating Type	PureCote[®]	Uncoated
	Chart Number	7590	7190
	Cat Code	279	276

Blank Diameter: 75mm with optics decentered 2.5mm laterally for an 80mm yield.

Base Curves: 1.50, 3.50, 5.50, 7.50

Nominal Base Curve	Actual Base Curve (1.53)	Actual Base Curve (1.498)	Sagitta (50mm)	Back Curve (1.53)	Reference Center Thickness	Edge Thickness
1.50	1.55	1.46	0.915	-3.00	11.9	13.5
3.50	3.50	3.29	2.078	-6.00	9.9	12.8
5.50	5.40	5.07	3.237	-6.00	8.4	8.8
7.50	7.44	6.99	4.531	-6.00	12.0	9.1

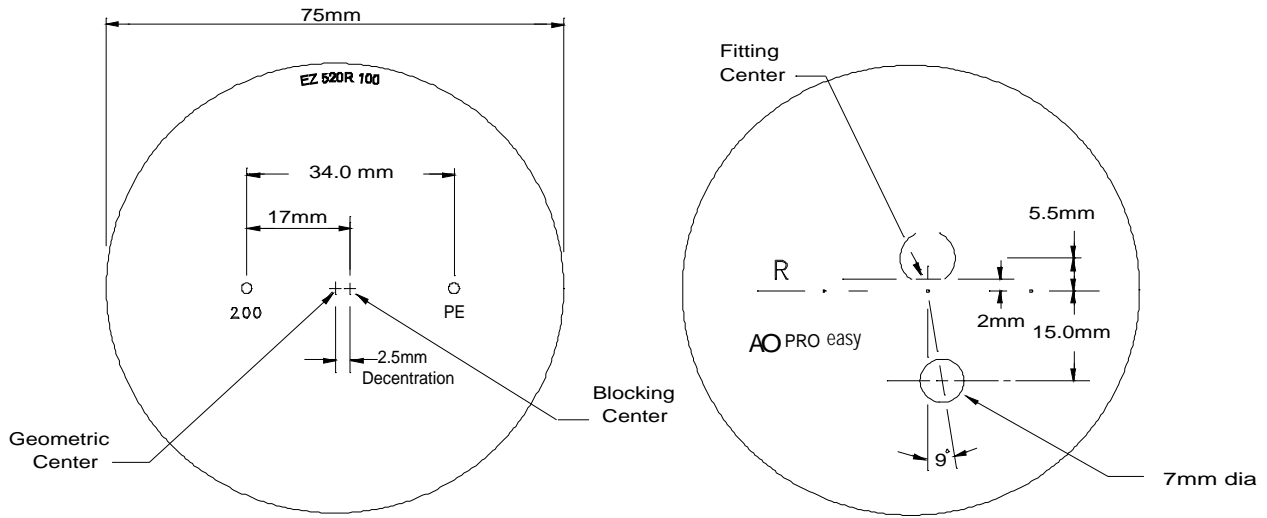
Add Powers: +0.75 to +3.50 in 0.25D steps.

Material Properties:	Refractive index (n_d)	1.499
	Abbe Value (v_d)	58
	Specific Gravity	1.32
	UV Protection	100% UV-B, 91% UV-A

Prescription Range: -9.00 to +5.00 combined with -4.00 cyl

Power (sphere)	Recommended Base Curve
-9.00 to -5.25 D	1.50
-5.00 to -0.75 D	3.50
-0.50 to +2.00 D	5.50
+2.25 to +5.00 D	7.50

AO PRO[®] Easy / AO Easy Lens Markings



Base Curve Selection Chart

		Minus Cyls																
		0.00	-0.25	-0.50	-0.75	-1.00	-1.25	-1.50	-1.75	-2.00	-2.25	-2.50	-2.75	-3.00	-3.25	-3.50	-3.75	-4.00
S	+5.00																	
	75																	
	50																	
P	+4.00																	
	75																	
	50																	
H	+3.00																	
	75																	
	50																	
E	+2.00																	
	75																	
	50																	
R	+1.00																	
	75																	
	50																	
E	Plano																	
	25																	
	50																	
S	-1.00																	
	25																	
	50																	
	-2.00																	
	25																	
	50																	
	-3.00																	
	25																	
	50																	
	-4.00																	
	25																	
	50																	
	-5.00																	
	25																	
	50																	
	-6.00																	
	25																	
	50																	
	-7.00																	
	25																	
	50																	
	-8.00																	
	25																	
	50																	
	-9.00																	
	25																	
	50																	



Product Fact Sheet

AO PRO[®] Easy Transitions[®] VI

Material: CR-607[®] Hard Resin

Coating:	Coating Type	Abrasion Resistant		Uncoated	
	Color	Grey	Brown	Grey	Brown
	Chart Number	01427	01429	n/a	n/a
	Cat Code	T27	T69	n/a	n/a

"Not all versions available in all markets"

Blank Diameter: 73mm with optics decentered laterally 2.5mm for a 78mm yield.

Base Curves: 1.50, 3.50, 5.50, 7.50

Nominal Base Curve	Actual Base Curve (1.53)	Actual Base Curve (1.498)	Sagitta (50mm)	Back Curve (1.53)	Reference Center Thickness	Edge Thickness
1.50	1.57	1.48	0.927	-3.00	11.9	13.4
3.50	3.50	3.29	2.078	-6.00	9.9	12.6
5.50	5.40	5.07	3.237	-6.00	8.4	8.8
7.50	7.47	7.02	4.550	-6.00	12.0	9.2

Add Powers: +0.75 to +3.50 in 0.25D steps.

Material Properties:	Refractive index (n_d)	1.497
	Abbe Value (v_d)	55
	Specific Gravity	1.27
	UV Protection	100% UV-B, 100% UV-A

Prescription Range: -9.00 to +5.00 combined with -4.00 cyl

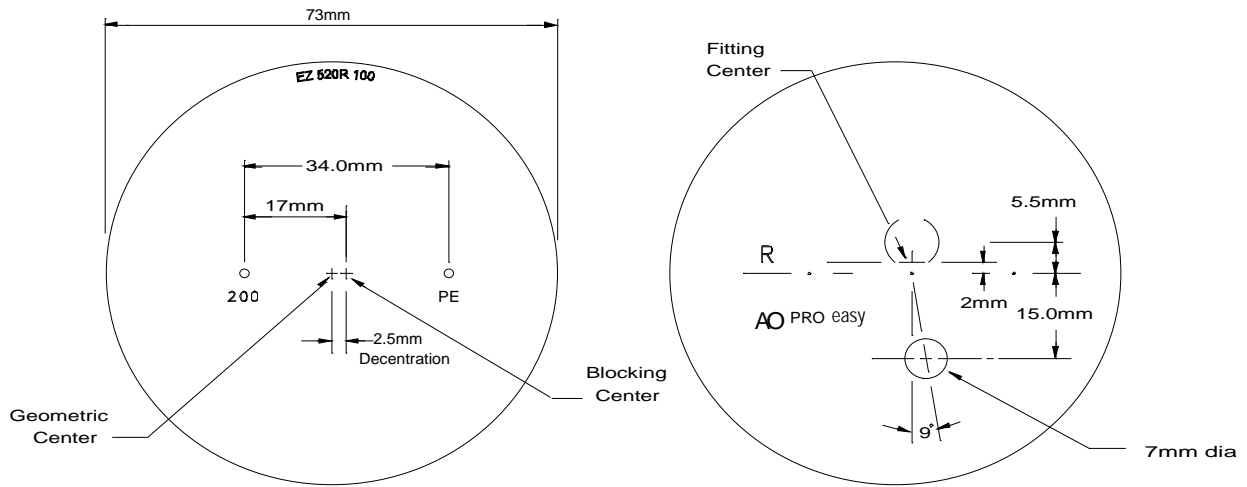
Power (sphere)	Recommended Base Curve
-9.00 to -5.25 D	1.50
-5.00 to -0.75 D	3.50
-0.50 to +2.00 D	5.50
+2.25 to +5.00 D	7.50

CR-607 is a registered trademark of PPG Industries.
 Transitions is a registered trademark of Transitions Optical, Inc.
 AO PRO is a registered trademark of AOIP.

New
 16-Dec-07

AO PRO[®] Easy Transitions[®] VI

Lens Markings



Base Curve Selection Chart

		Minus Cyls																
		0.00	-0.25	-0.50	-0.75	-1.00	-1.25	-1.50	-1.75	-2.00	-2.25	-2.50	-2.75	-3.00	-3.25	-3.50	-3.75	-4.00
S	+5.00																	
	75																	
	50																	
P	25																	
	+4.00																	
	75																	
H	50																	
	25																	
	+3.00																	
E	75																	
	50																	
	25																	
R	+2.00																	
	75																	
	50																	
E	25																	
	+1.00																	
	75																	
S	50																	
	25																	
	Plane																	
	75																	
	-1.00																	
	25																	
	50																	
	75																	
	-2.00																	
	25																	
	50																	
	75																	
	-3.00																	
	25																	
	50																	
	75																	
	-4.00																	
	25																	
	50																	
	75																	
	-5.00																	
	25																	
	50																	
	75																	
	-6.00																	
	25																	
	50																	
	75																	
	-7.00																	
	25																	
	50																	
	75																	
	-8.00																	
	25																	
	50																	
	75																	
	-9.00																	
	25																	
	50																	
	75																	
	0.00																	
	-0.25																	
	-0.50																	
	-0.75																	
	-1.00																	
	-1.25																	
	-1.50																	
	-1.75																	
	-2.00																	
	-2.25																	
	-2.50																	
	-2.75																	
	-3.00																	
	-3.25																	
	-3.50																	
	-3.75																	
	-4.00																	



Product Fact Sheet

AO Easy NuPolar[®] Polarized

Material: Hard Resin – Gray Polarized

Coating: *Scratch Resistant
(Non Tintable HC)*

US Cat code **B26**

Global Cat code **02411**

Blank Diameter: 80mm with optics centered

Base Curves: 1.50, 3.50, 5.50, 7.50

Nominal Base Curve	Actual Base Curve (1.53)	Actual Base Curve (1.498)	Sagitta (50mm)	Back Curve (1.53)	Reference Center Thickness	Edge Thickness
1.50	1.55	1.46	0.915	-4.25	10.5	13.9
3.50	3.54	3.33	2.102	-6.25	10.2	13.7
5.50	5.44	5.11	3.262	-6.25	9.0	9.6
7.50	7.54	7.09	4.596	-6.25	13.2	9.4

Add Powers: +1.00 to +3.00 in 0.25D steps.

Material Properties:

- Refractive index (nd)* 1.499
- Abbe Value (vd)* 58
- Specific Gravity* 1.32
- UV Protection* 100% UV-B, 99% UV-A

Prescription Range: -9.00 to +5.00 combined with -4.00 cyl

<i>Power (sphere)</i>	<i>Recommended Base Curve</i>
-9.00 to -5.25 D	1.50
-5.00 to -0.75 D	3.50
-0.50 to +2.00 D	5.50
+2.25 to +5.00 D	7.50



Product Fact Sheet

Instinctive™ / PEZ 1.67

Material: High Index 1.67

Coating:

Coating Type	Scratch Resistant	Uncoated
Chart Number	0835	TBD
Cat Code	923	TBD

"Not available in all markets"

Blank Diameter: 73mm (except 5 Base – 78mm) with optics centered.

Base Curves: 1.00, 3.00, 5.00, 6.00, 7.00

Nominal Base Curve	Actual Base Curve (1.53)	Actual Base Curve (1.498)	Sagitta (50mm)	Back Curve (1.53)	Reference Center Thickness	Edge Thickness
1.00	1.40	1.32	0.826	-6.00	7.9	14.2
3.00	3.14	2.95	1.862	-6.00	8.9	13.0
5.00	4.97	4.67	2.972	-6.00	8.7	10.8
6.00	5.77	5.42	3.468	-6.00	11.0	12.1
7.00	6.80	6.39	4.118	-6.00	12.2	11.8

Add Powers: +0.75 to +3.50 in 0.25D steps.

Material Properties:

Refractive index (nd)	1.661
Abbe Value (vd)	32
Specific Gravity	1.37
UV Protection	100% UV-B, 100% UV-A

Prescription Range: -10.00 to +6.00 combined with -4.00 cyl

Power (sphere)	Recommended Base Curve
-10.00 to -5.25 D	1.00
-5.00 to -0.75 D	3.00
-0.50 to +2.00 D	5.00
+2.25 to +3.50 D	6.00
+3.75 to +6.00 D	7.00

Revision
20-May-08



Instinctive™ / PEZ 1.67 Transitions® VI

Material: High Index 1.67

Coating:	Coating Type	Abrasion Resistant	Uncoated
	Color	Grey	Grey
	Chart Number	01487	TBD
	Cat Code	T63	TBD

Blank Diameter: 73mm (except 5 Base – 78mm) with optics centered.**Base Curves:** 1.00, 3.00, 5.00, 6.00, 7.00

Nominal Base Curve	Actual Base Curve (1.53)	Actual Base Curve (1.498)	Sagitta (50mm)	Back Curve (1.53)	Reference Center Thickness	Edge Thickness
1.00	1.40	1.32	0.826	-6.00	7.9	14.2
3.00	3.14	2.95	1.862	-6.00	8.9	13.0
5.00	4.97	4.67	2.972	-6.00	8.7	10.8
6.00	5.77	5.42	3.468	-6.00	11.0	12.1
7.00	6.80	6.39	4.118	-6.00	12.2	11.8

Add Powers: +0.75 to +3.50 in 0.25D steps.

Material Properties:	Refractive index (n_d)	1.661
	Abbe Value (v_d)	32
	Specific Gravity	1.37
	UV Protection	100% UV-B, 100% UV-A

Prescription Range: -10.00 to +6.00 combined with -4.00 cyl

Power (sphere)	Recommended Base Curve
-10.00 to -5.25 D	1.00
-5.00 to -0.75 D	3.00
-0.50 to +2.00 D	5.00
+2.25 to +3.50 D	6.00
+3.75 to +6.00 D	7.00



Product Fact Sheet

Instinctive™ / PEZ Polycarbonate

Material: Polycarbonate

Coating: *Scratch Resistant
(Non Tintable HC)*

US Cat code 130

Global Cat code 00932

Blank Diameter: 75mm with optics centered.

Base Curves: 1.50, 3.50, 5.50, 7.50

Nominal Base Curve	Actual Base Curve (1.53)	Actual Base Curve (1.498)	Sagitta (50mm)	Back Curve (1.53)	Reference Center Thickness	Edge Thickness
1.50	1.57	1.48	0.927	-5.75	7.8	13.1
3.50	3.54	3.33	2.102	-5.75	7.7	10.3
5.50	5.42	5.09	3.250	-5.75	8.3	8.2
7.50	7.47	7.02	4.550	-8.00	11.3	11.7

Add Powers: +1.00 to +3.50 in 0.25D steps.

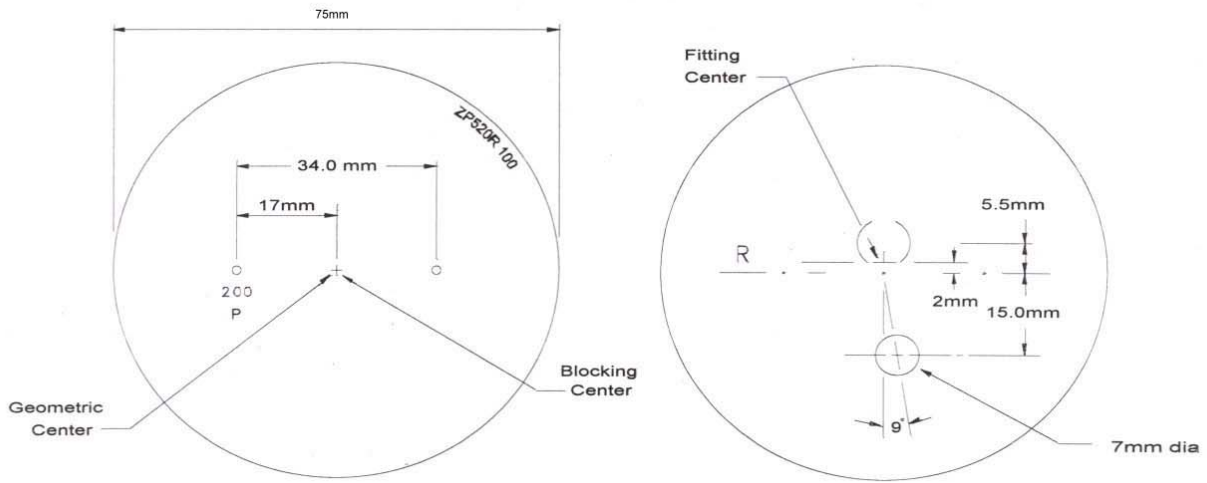
Material Properties:

- Refractive index (nd)* 1.586
- Abbe Value (vd)* 30
- Specific Gravity* 1.20
- UV Protection* 100% UV-B, 100% UV-A

Prescription Range: -9.00 to +5.00 combined with -4.00 cyl

<i>Power (sphere)</i>	<i>Recommended Base Curve</i>
-9.00 to -5.25 D	1.50
-5.00 to -0.75 D	3.50
-0.50 to +2.00 D	5.50
+2.25 to +5.00 D	7.50

Instinctive™ / PEZ Polycarbonate Lens Markings



Base Curve Selection Chart

		Minus Cyls																
		0.00	-0.25	-0.50	-0.75	-1.00	-1.25	-1.50	-1.75	-2.00	-2.25	-2.50	-2.75	-3.00	-3.25	-3.50	-3.75	-4.00
S	+5.00																	
	75																	
	50																	
P	+4.00																	
	75																	
	50																	
H	+3.00																	
	75																	
	50																	
E	+2.00																	
	75																	
	50																	
R	+1.00																	
	75																	
	50																	
E	Plano																	
	75																	
	50																	
S	-1.00																	
	75																	
	50																	
	-2.00																	
	75																	
	50																	
	-3.00																	
	75																	
	50																	
	-4.00																	
	75																	
	50																	
	-5.00																	
	75																	
	50																	
	-6.00																	
	75																	
	50																	
	-7.00																	
	75																	
	50																	
	-8.00																	
	75																	
	50																	
	-9.00																	
	75																	
	50																	

Revision 4
05-May-09



Product Fact Sheet



Instinctive™ / PEZ Transitions® VI Polycarbonate

Material: Polycarbonate - Grey

Coating: *Coating Type* *Abrasion Resistant*
Cat Code T51

Blank Diameter: 72mm with optics centered.

Base Curves: 1.50, 3.50, 5.50, 7.50

Nominal Base Curve	Actual Base Curve (1.53)	Actual Base Curve (1.498)	Sagitta (50mm)	Back Curve (1.53)	Reference Center Thickness	Edge Thickness
1.50	1.62	1.52	0.957	-5.75	7.6	12.5
3.50	3.61	3.39	2.144	-5.75	7.5	9.9
5.50	5.47	5.14	3.281	-5.75	8.1	7.9
7.50	7.53	7.08	4.589	-8.00	11.1	11.3

Add Powers: +1.00 to +3.00 in 0.25D steps.

Material Properties: *Refractive index (nd)* 1.586
Abbe Value (vd) 30
Specific Gravity 1.20
UV Protection 100% UV-B,100% UV-A

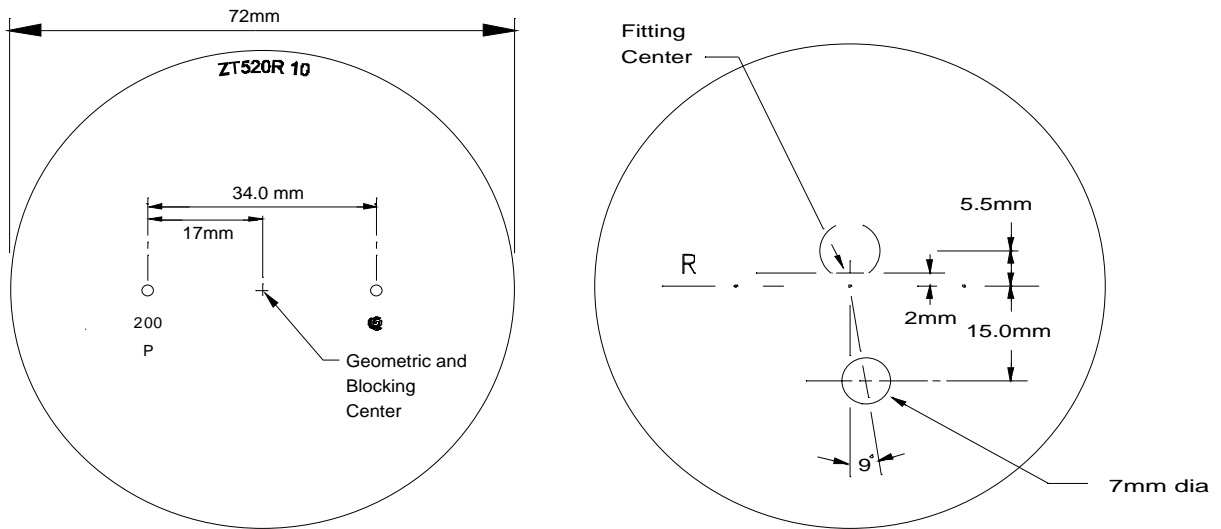
Prescription Range: -9.00 to +5.00 combined with -4.00 cyl

<i>Power (sphere)</i>	<i>Recommended Base Curve</i>
-9.00 to -5.25 D	1.50
-5.00 to -0.75 D	3.50
-0.50 to +2.00 D	5.50
+2.25 to +5.00 D	7.50

Instinctive is a trademark of SOLA Intl.
Transitions is a registered trademark of Transitions Optical Inc.

Revision 1
20 May 08

Instinctive™ / PEZ Transitions® VI Polycarbonate Lens Markings



Base Curve Selection Chart

		Minus Cyls																
		0.00	-0.25	-0.50	-0.75	-1.00	-1.25	-1.50	-1.75	-2.00	-2.25	-2.50	-2.75	-3.00	-3.25	-3.50	-3.75	-4.00
S	+5.00																	
	75																	
	25																	
P	+4.00																	
	75																	
	25																	
H	+3.00																	
	75																	
	25																	
E	+2.00																	
	75																	
	25																	
R	+1.00																	
	75																	
	25																	
E	Plano																	
	75																	
	25																	
S	-1.00																	
	75																	
	25																	
	-2.00																	
	75																	
	25																	
	-3.00																	
	75																	
	25																	
	-4.00																	
	75																	
	25																	
	-5.00																	
	75																	
	25																	
	-6.00																	
	75																	
	25																	
	-7.00																	
	75																	
	25																	
	-8.00																	
	75																	
	25																	
	-9.00																	
	75																	
	25																	



Product Fact Sheet

Instinctive™ / PEZ

Material: Hard Resin

Coating:

<i>Coating Type</i>	<i>Scratch Resistant</i>	<i>Uncoated</i>
Chart Number	1027	1026
Cat Code	693	520

Blank Diameter: 75mm with optics decentered 2.5mm laterally for an 80mm yield.

Base Curves: 1.50, 3.50, 5.50, 7.50

Nominal Base Curve	Actual Base Curve (1.53)	Actual Base Curve (1.498)	Sagitta (50mm)	Back Curve (1.53)	Reference Center Thickness	Edge Thickness
1.50	1.55	1.46	0.915	-3.00	11.9	13.5
3.50	3.50	3.29	2.078	-6.00	9.9	12.8
5.50	5.40	5.07	3.237	-6.00	8.4	8.8
7.50	7.44	6.99	4.531	-6.00	12.0	9.1

Add Powers: +0.75 to +3.50 in 0.25D steps.

Material Properties:

<i>Refractive index (nd)</i>	1.499
<i>Abbe Value (vd)</i>	58
<i>Specific Gravity</i>	1.32
<i>UV Protection</i>	100% UV-B, 91% UV-A

Prescription Range: -9.00 to +5.00 combined with -4.00 cyl

<i>Power (sphere)</i>	<i>Recommended Base Curve</i>
-9.00 to -5.25 D	1.50
-5.00 to -0.75 D	3.50
-0.50 to +2.00 D	5.50
+2.25 to +5.00 D	7.50



Instinctive™ / PEZ Transitions® VI

Material: CR-607® Hard Resin

Coating:

Coating Type	Abrasion Resistant		Uncoated	
Color	Grey	Brown	Grey	Brown
Chart Number				
Cat Code	T28	G21	n/a	n/a

“Not all versions available in all markets”

Blank Diameter: 73mm with optics decentered laterally 2.5mm for a 78mm yield.

Base Curves: 1.50, 3.50, 5.50, 7.50

Nominal Base Curve	Actual Base Curve (1.53)	Actual Base Curve (1.498)	Sagitta (50mm)	Back Curve (1.53)	Reference Center Thickness	Edge Thickness
1.50	1.57	1.48	0.927	-3.00	11.9	13.4
3.50	3.50	3.29	2.078	-6.00	9.9	12.6
5.50	5.40	5.07	3.237	-6.00	8.4	8.8
7.50	7.47	7.02	4.550	-6.00	12.0	9.2

Add Powers: +0.75 to +3.50 in 0.25D steps.

Material Properties:

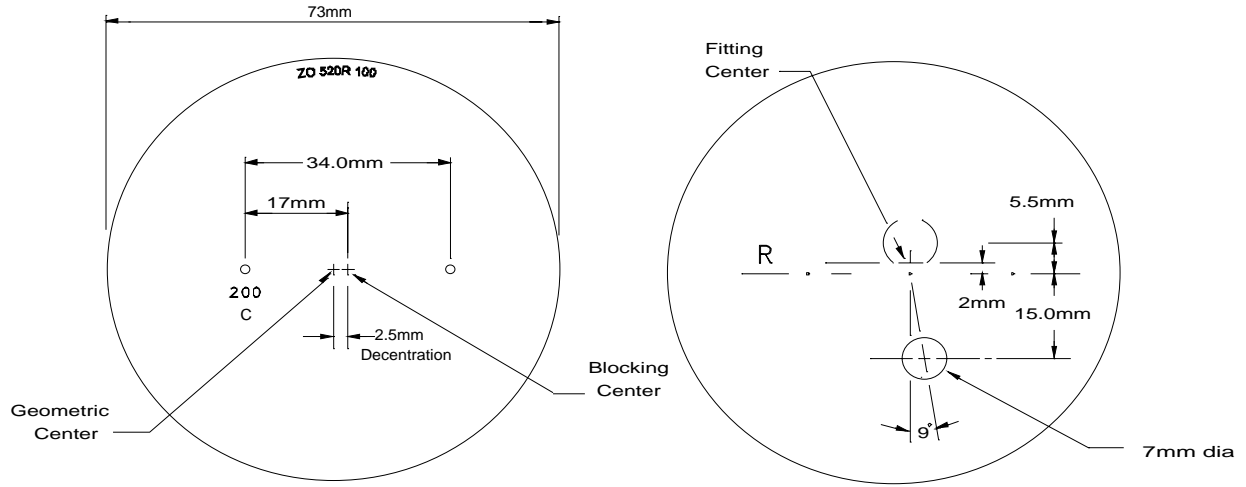
Refractive index (n_d)	1.497
Abbe Value (v_d)	55
Specific Gravity	1.27
UV Protection	100% UV-B, 100% UV-A

Prescription Range: -9.00 to +5.00 combined with -4.00 cyl

Power (sphere)	Recommended Base Curve
-9.00 to -5.25 D	1.50
-5.00 to -0.75 D	3.50
-0.50 to +2.00 D	5.50
+2.25 to +5.00 D	7.50

Instinctive™ / PEZ Transitions® VI

Lens Markings



Base Curve Selection Chart

	Minus Cyls																	
	0.00	-0.25	-0.50	-0.75	-1.00	-1.25	-1.50	-1.75	-2.00	-2.25	-2.50	-2.75	-3.00	-3.25	-3.50	-3.75	-4.00	
S	+5.00																	
	75																	
	50																	
P	+4.00																	
	75																	
	50																	
H	+3.00																	
	75																	
	50																	
E	+2.00																	
	75																	
	50																	
R	+1.00																	
	75																	
	50																	
E	Plano																	
	75																	
	50																	
S	-1.00																	
	75																	
	50																	
	-2.00																	
	75																	
	50																	
	-3.00																	
	75																	
	50																	
	-4.00																	
	75																	
	50																	
	-5.00																	
	75																	
	50																	
	-6.00																	
	75																	
	50																	
	-7.00																	
	75																	
	50																	
	-8.00																	
	75																	
	50																	
	-9.00																	
	75																	
	50																	



Product Fact Sheet

70mm FLAT TOP BIFOCAL

Material: Hard Resin

Coating:	Coating Type	PureCote®		Uncoated	
	Seg Size	25mm	28mm	25mm	28mm
	Chart Number	749	715	251	252
	Cat Code	n/a	949	941	942

"Not all versions available in all markets"

Blank Diameter: 70mm

Seg Size & Location: 25mm – Inset 6.0mm in, 5.5mm down.
28mm – Inset 6.0mm in, 5.5mm down.

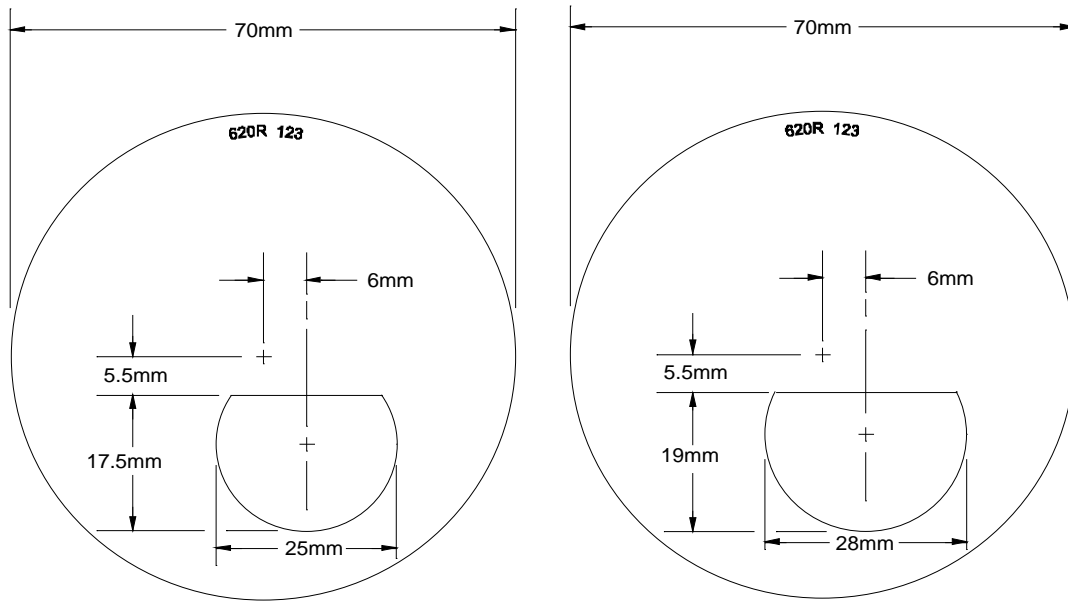
Base Curves: 2.50, 4.50, 6.50, 8.50

Nominal Base Curve	Actual Base Curve (1.53)	Actual Base Curve (1.498)	Sagitta (50mm)	Back Curve (1.53)	Reference Center Thickness	Edge Thickness
2.50	2.06	1.94	1.218	-6.00	11.2	16.0
4.50	4.24	3.98	2.526	-6.00	8.4	10.6
6.50	6.36	5.98	3.838	-6.00	8.5	8.0
8.50	8.40	7.89	5.164	-6.00	8.9	5.5

Add Powers: +1.00 to +3.00 in 0.25D steps

Material Properties:	Refractive index (n_d)	1.499
	Abbe Value (v_d)	58
	Specific Gravity	1.32
	UV Protection	100% UV-B, 91% UV-A

70mm Flat Top Bifocal Lens Geometry





Product Fact Sheet

75mm FLAT TOP BIFOCAL

Material: Hard Resin

Coating:	Coating Type	PureCote®	Uncoated
	Seg Size	28mm	28mm
	Chart Number	718	271
	Cat Code	950	943

Blank Diameter: 75mm

Seg Size & Location: 28mm – Inset 6.0mm in, 5.5mm down.

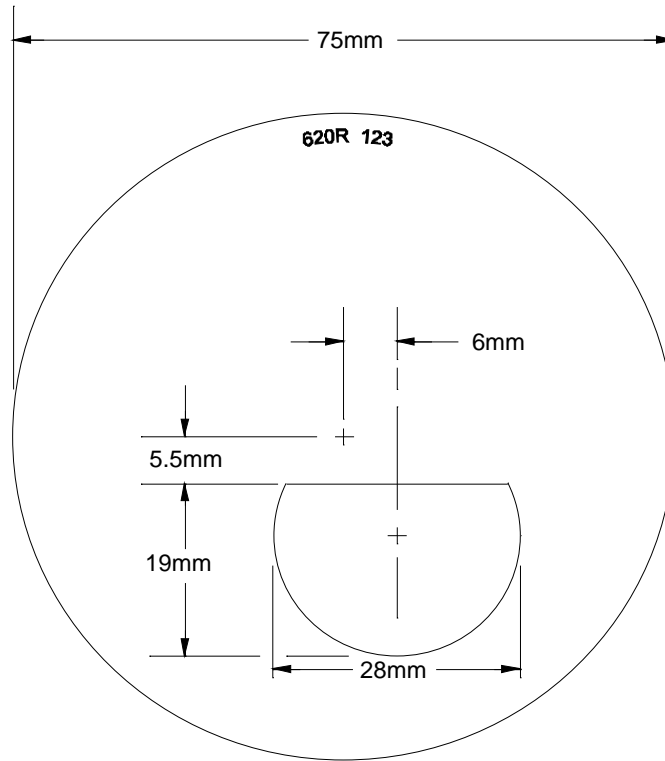
Base Curves: 4.50, 6.50, 8.50

Nominal Base Curve	Actual Base Curve (1.53)	Actual Base Curve (1.498)	Sagitta (50mm)	Back Curve (1.53)	Reference Center Thickness	Edge Thickness
4.50	4.24	3.98	2.526	-6.00	9.8	12.5
6.50	6.36	5.98	3.838	-6.00	8.8	8.5
8.50	8.40	7.89	5.164	-6.00	11.6	8.5

Add Powers: +1.00 to +3.00 in 0.25D steps

Material Properties:	Refractive index (nd)	1.499
	Abbe Value (vd)	58
	Specific Gravity	1.32
	UV Protection	100% UV-B, 91% UV-A

75mm Flat Top Bifocal Lens Geometry





Product Fact Sheet

70mm ROUND SEG BIFOCAL

Material: Hard Resin

Coating:	Coating Type	PureCote®		Uncoated	
	Seg Size	24mm	38mm	24mm	38mm
	Chart Number	752	753	401	402
	Cat Code	956	958	401	402

"Not all versions available in all markets"

Blank Diameter: 70mm

Seg Size & Location: 24mm – Inset 0.0mm in, 7.0mm down.
38mm – Inset 0.0mm in, 6.0mm down.

Base Curves: Plano, 1.50, 3.00, 4.50, 6.00, 7.50, 9.00, 10.50

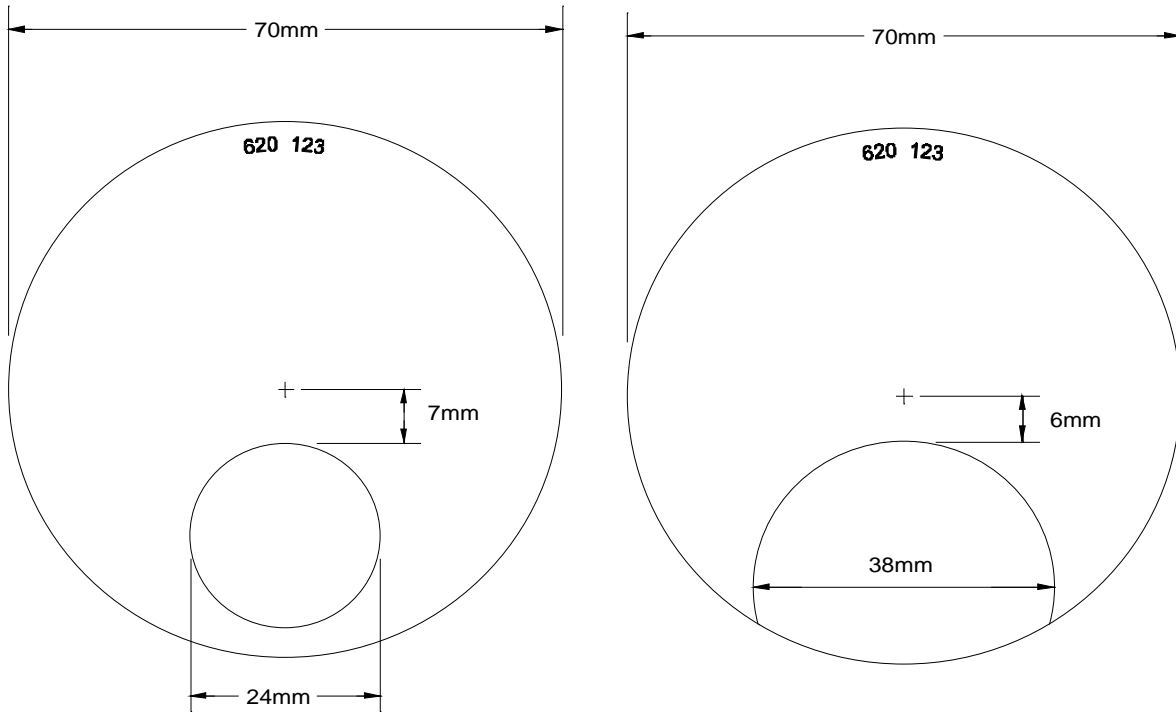
Nominal Base Curve	Actual Base Curve (1.53)	Actual Base Curve (1.498)	Sagitta (50mm)	Back Curve (1.53)	Reference Center Thickness	Edge Thickness
Plano	0.00	0.00	0.000	-6.00	9.5	16.0
1.50	1.59	1.49	0.939	-6.00	11.2	16.0
3.00	3.17	2.98	1.880	-6.00	13.0	16.0
4.50	4.75	4.46	2.837	-6.00	6.8	8.0
6.00	6.29	5.91	3.794	-6.00	8.7	8.0
7.50	7.87	7.40	4.812	-6.00	10.8	8.0
9.00	9.22	8.66	5.721	-6.00	13.1	8.0
10.50	10.56	9.92	6.670	-6.00	15.4	8.0

Add Powers: Plano & 1.50 base - +1.00 to +4.00 in 0.25D steps.
3.00 thru 10.50 bases +0.75 to +4.00 in 0.25D steps.

Material Properties:	Refractive index (nd)	1.499
	Abbe Value (vd)	58
	Specific Gravity	1.32
	UV Protection	100% UV-B, 91% UV-A

70mm Round Seg Bifocal

Lens Geometry





Product Fact Sheet

BLENDING BIFOCAL

Material: Hard Resin

Coating:	Coating Type	PureCote®	Uncoated
	Chart Number	728	330
	Cat Code	n/a	843

Blank Diameter: 75mm

Seg Size & Location: 23.7 – 24.2mm (depending on base and add power).
Inset 0.0mm in, 3.0mm down.

Base Curves: 4.50, 6.50

Nominal Base Curve	Actual Base Curve (1.53)	Actual Base Curve (1.498)	Sagitta (50mm)	Back Curve (1.53)	Reference Center Thickness	Edge Thickness
4.50	4.23	3.98	2.519	-6.00	9.0	12.0
6.50	6.30	5.92	3.800	-6.00	9.0	9.5

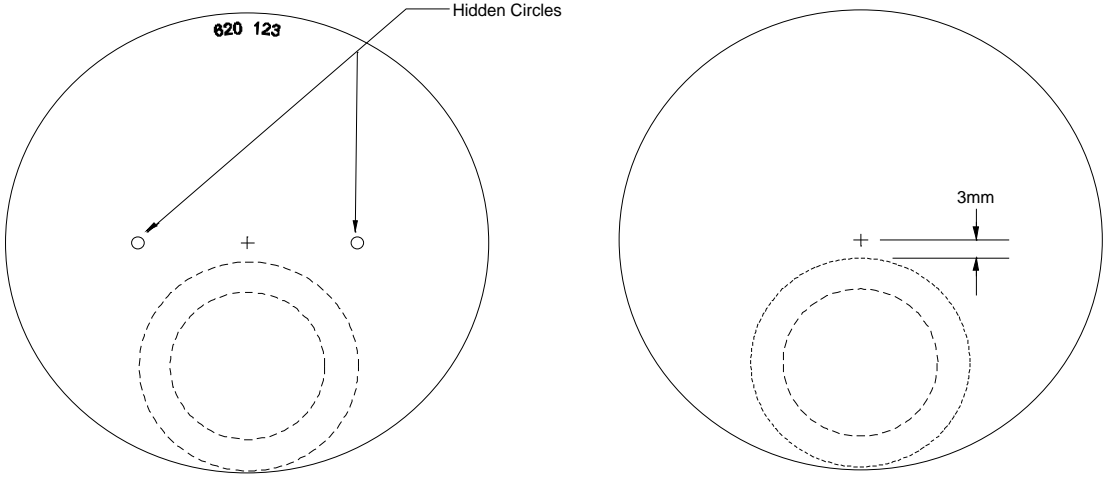
Add Powers: +1.00 to +3.00 in 0.25D steps

Material Properties:	Refractive index (n_d)	1.499
	Abbe Value (v_d)	58
	Specific Gravity	1.32
	UV Protection	100% UV-B, 91% UV-A

Prescription Range: -5.00 to +2.00 combined with -4.00 cyl

Power (sphere)	Recommended Base Curve
-5.00 to -0.75 D	4.50
-0.50 to +2.00 D	6.50

Blended Bifocal Lens Geometry





CARL ZEISS VISION



Product Fact Sheet

AO 55[®] Aspheric SFSV

Material: AO's High Index "55"

Coating:	Coating Type	PureCote[®]	Uncoated
	Chart Number	1601	1101
	Cat Code	744	n/a

Blank Diameter: 75mm

Base Curves: 0.75, 1.75, 3.00, 4.00, 5.25, 6.50, 8.00

Nominal Base Curve	Actual Base Curve (1.53)	Actual Base Curve (1.498)	Sagitta (50mm)	Back Curve (1.53)	Reference Center Thickness	Edge Thickness
0.75	0.73	0.69	0.431	-3.00	13.7	16.4
1.75	1.85	1.74	1.093	-3.00	9.8	11.3
3.00	3.27	3.07	1.940	-3.00	11.9	11.3
*4.00	4.06	3.82	2.416	-3.00	9.2	8.8
5.25	5.14	4.83	3.077	-6.00	8.4	10.2
6.50	6.65	6.25	4.023	-6.00	9.4	9.1
8.00	8.10	7.61	4.964	-6.00	11.6	9.2

*Note: 4.00 Base is spherical.

Material Properties:	Refractive index (n_d)	1.537
	Abbe Value (v_d)	47
	Specific Gravity	1.21
	UV Protection	100% UV-B, 98% UV-A

Prescription Range: -8.00 to +8.00 combined with -4.00 cyl.

Power (Sphere)	Recommended Base Curve
-8.00 to -5.50 D	0.75
-5.25 to -3.25 D	1.75
-3.00 to -0.75 D	3.00
-0.50 to +1.75 D	4.00
+2.00 to +4.00 D	5.25
+4.25 to +6.00 D	6.50
+6.25 to +8.00 D	8.00

AO 55 is a registered trademark of AOIP.
PureCote is a registered trademark of SOLA Intl.

Revision 3
20 May 08



Product Fact Sheet

66mm SEMI FINISHED SINGLE VISION

Material: Hard Resin

Coating:

<i>Coating Type</i>	<i>PureCote®</i>	<i>Uncoated (AOLITE®)</i>
Chart Number	4500	4100
Cat Code	989	986

Blank Diameter: 66mm

Base Curves: 0.50, 2.50, 3.50, 4.50, 5.50, 6.50, 7.50, 8.50, 9.50, 10.50, 12.50

Nominal Base Curve	Actual Base Curve (1.53)	Actual Base Curve (1.498)	Sagitta (50mm)	Back Curve (1.53)	Reference Center Thickness	Edge Thickness
0.50	0.37	0.35	0.218	-6.00	9.5	15.0
2.50	2.06	1.94	1.218	-6.00	11.2	15.0
3.50	3.24	3.04	1.922	-6.00	7.3	9.5
4.50	4.24	3.98	2.526	-6.00	7.6	9.5
5.50	5.24	4.92	3.138	-6.00	5.6	6.0
6.50	6.36	5.98	3.838	-6.00	6.4	6.0
7.50	7.54	7.09	4.596	-6.00	7.4	6.0
8.50	8.40	7.89	5.164	-6.00	8.3	6.0
9.50	9.51	8.94	5.922	-6.00	9.5	6.0
10.50	10.35	9.73	6.517	-6.00	10.5	6.0
12.50	12.28	11.54	7.978	-6.00	13.4	6.0

Material Properties:

<i>Refractive index (η_d)</i>	1.499
<i>Abbe Value (ν_d)</i>	58
<i>Specific Gravity</i>	1.32
<i>UV Protection</i>	100% UV-B, 91% UV-A

AOLITE is a registered trademark of AOIP.
PureCote is a registered trademark of SOLA Intl.

Revision 4
07-Mar-08



Product Fact Sheet

70mm SEMI FINISHED SINGLE VISION

Material: Hard Resin

Coating:	Coating Type	PureCote®	Uncoated (AOLITE®)
	Chart Number	731	300
	Cat Code	991	984

Blank Diameter: 70mm

Base Curves: 0.50, 2.50, 3.50, 4.50, 5.50, 6.50, 7.50, 8.50, 9.50, 10.50

Nominal Base Curve	Actual Base Curve (1.53)	Actual Base Curve (1.498)	Sagitta (50mm)	Back Curve (1.53)	Reference Center Thickness	Edge Thickness
0.50	0.37	0.35	0.218	-6.00	9.2	16.0
2.50	2.06	1.94	1.218	-6.00	11.2	16.0
3.50	3.24	3.04	1.922	-6.00	7.2	10.6
4.50	4.24	3.98	2.526	-6.00	8.4	10.6
5.50	5.24	4.92	3.138	-6.00	7.0	8.0
6.50	6.36	5.98	3.838	-6.00	8.5	8.0
7.50	7.54	7.09	4.596	-6.00	10.1	8.0
8.50	8.40	7.89	5.164	-6.00	8.9	5.5
9.50	9.51	8.94	5.922	-6.00	10.6	5.5
10.50	10.35	9.73	6.517	-6.00	12.1	5.5

Material Properties:	Refractive index (n_d)	1.499
	Abbe Value (v_d)	58
	Specific Gravity	1.32
	UV Protection	100% UV-B, 91% UV-A

AOLITE is a registered trademark of AOIP.
 PureCote is a registered trademark of SOLA Intl.

Revision 3
 07-Mar-08



Product Fact Sheet

75mm SEMI FINISHED SINGLE VISION

Material: Hard Resin

Coating:	Coating Type	PureCote®	Uncoated (AOLITE®)
	Chart Number	730	302
	Cat Code	990	985

Blank Diameter: 75mm

Base Curves: 2.50, 3.50, 4.50, 5.50, 6.50, 7.50, 8.50

Nominal Base Curve	Actual Base Curve (1.53)	Actual Base Curve (1.498)	Sagitta (50mm)	Back Curve (1.53)	Reference Center Thickness	Edge Thickness
2.50	2.06	1.94	1.218	-6.00	10.5	16.0
3.50	3.24	3.04	1.922	-6.00	8.4	12.5
4.50	4.24	3.98	2.526	-6.00	9.6	12.5
5.50	5.24	4.92	3.138	-6.00	7.2	8.5
6.50	6.36	5.98	3.838	-6.00	8.8	8.5
7.50	7.54	7.09	4.596	-6.00	10.6	8.5
8.50	8.40	7.89	5.164	-6.00	11.5	8.5

Material Properties:	Refractive index (nd)	1.499
	Abbe Value (vd)	58
	Specific Gravity	1.32
	UV Protection	100% UV-B, 91% UV-A

AOLITE is a registered trademark of AOIP.
 PureCote is a registered trademark of SOLA Intl.

Revision 2
 07-Mar-08



Product Fact Sheet

65mm FINISHED SINGLE VISION

Material: Hard Resin

Coating:	Coating Type	SKU's	PureCote®	Uncoated (AOLITE®)
	Chart Number	+ on – Sph/Cyl	2500	2100
		+ Sph	2500	2100
		- on – Sph/Cyl	2501	2101
		- Sph	2501	2101
	Cat Code	+ on – Sph/Cyl	211	133
		+ Sph	211	133
	- on – Sph/Cyl	212	148	
	- Sph	212	148	

Lens Diameter: 65mm (-6.00 to +5.00)

Material Properties:	Refractive index (η_d)	1.499
	Abbe Value (v_d)	58
	Specific Gravity	1.32
	UV Protection	100% UV-B, 91% UV-A

Plus on Minus Cylinders (Chart # 2100 & 2500)

Cyl/ Sph	0.00	0.25	0.50	0.75	1.00	1.25	1.50	1.75	2.00
0.000		X	X	X	X	X	X	X	X
0.25									
0.50									
0.75									
1.00									
1.25									
1.50									
1.75									
2.00									
2.25									
2.50									
2.75									
3.00									
3.25									
3.50									
3.75									
4.00									
4.25									
4.50									
4.75									
5.00									

X = Not available

Minus on Minus Cylinders (Chart # 2101 & 2501)

Cyl/ Sph	0.00	0.25	0.50	0.75	1.00	1.25	1.50	1.75	2.00
0.000	X								
0.25									
0.50									
0.75									
1.00									
1.25									
1.50									
1.75									
2.00									
2.25									
2.50									
2.75									
3.00									
3.25									
3.50									
3.75									
4.00									
4.25									
4.50									
4.75									
5.00									
5.25									
5.50									
5.75									
6.00									

65mm FINISHED SINGLE VISION

Sphere Power	Front Curve	Center Thickness
+5.00	8.50	6.7
+4.75	8.26	6.4
+4.50	8.49	6.2
+4.25	8.25	5.9
+4.00	8.02	5.6
+3.75	7.78	5.3
+3.50	8.01	5.1
+3.25	7.77	4.8
+3.00	7.52	4.5
+2.75	7.28	4.2
+2.50	7.03	3.9
+2.25	7.27	3.6
+2.00	7.02	3.3
+1.75	6.77	3.1
+1.50	6.52	2.8
+1.25	6.74	3.1
+1.00	6.49	2.8
+0.75	6.23	2.6
+0.50	5.98	2.3
+0.25	5.72	2.0
0.00	5.71	2.0
-0.25	5.45	2.0
-0.50	5.19	2.0
-0.75	4.93	2.0
-1.00	4.66	2.0
-1.25	5.14	2.0
-1.50	4.88	2.0
-1.75	4.62	2.0
-2.00	4.35	2.0
-2.25	4.59	2.0
-2.50	4.32	2.0
-2.75	4.06	2.0
-3.00	3.80	2.0
-3.25	4.03	2.0
-3.50	3.77	2.0
-3.75	3.50	2.0
-4.00	3.24	2.0
-4.25	3.47	2.0
-4.50	3.21	2.0
-4.75	2.95	2.0
-5.00	2.68	2.0
-5.25	2.42	2.0
-5.50	2.15	2.0
-5.75	1.89	2.0
-6.00	1.62	2.0